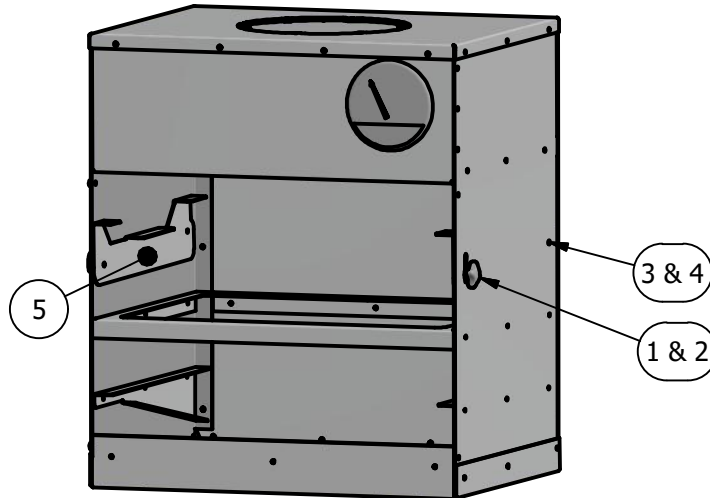


# Instructions to Convert Mistaway Collector to use 6" Main Filter

Applies to MA400 (#400B-C), MA700 (#700B-C), and MA1200 (#1200B-C)

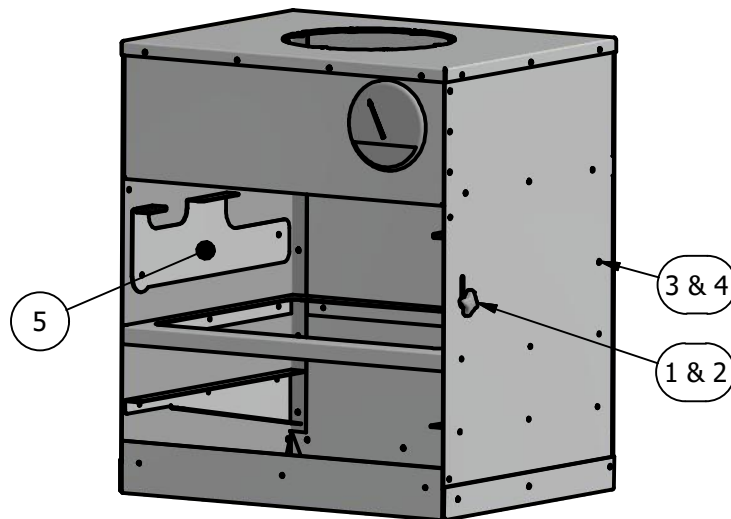
Using a conversion kit, you can convert your older model MA400, MA700B, or MA1200 to use a 6" main filter. The 6" main filter is used in the new MA400C, MA700C, and MA1200C Mistaway Collector models.

Note: The carbon filter used in previous models is eliminated with the new 6" main filter setup. If a carbon filter is needed, it is an option to the Hepa After Filter.



## Remove Old Filter Clamp Bars (one each side)

- 1) Remove knob (item #1) and nylon washer (item #2)
- 2) Remove screw (item #3) and flat nut (item #4)
- 3) Remove Filter Clamp Bar (item #5)
- 4) Remove screw and flat nut from old Clamp Bar and transfer these parts to new Clamp Bar



## Install New Filter Clamp Bars for 6" Filter (one each side)

- 1) Install Clamp Bar (item #5) using screw (item #3) and flat nut (item #4)
- 2) Install nylon washer (item #2) and knob (item #1)
- 3) Make sure Filter Clamp Bar moves up and down and locks when tightening knob

Items Included in Kit:

- (1) Right Hand Clamping Bar
- (1) Left Hand Clamping Bar

