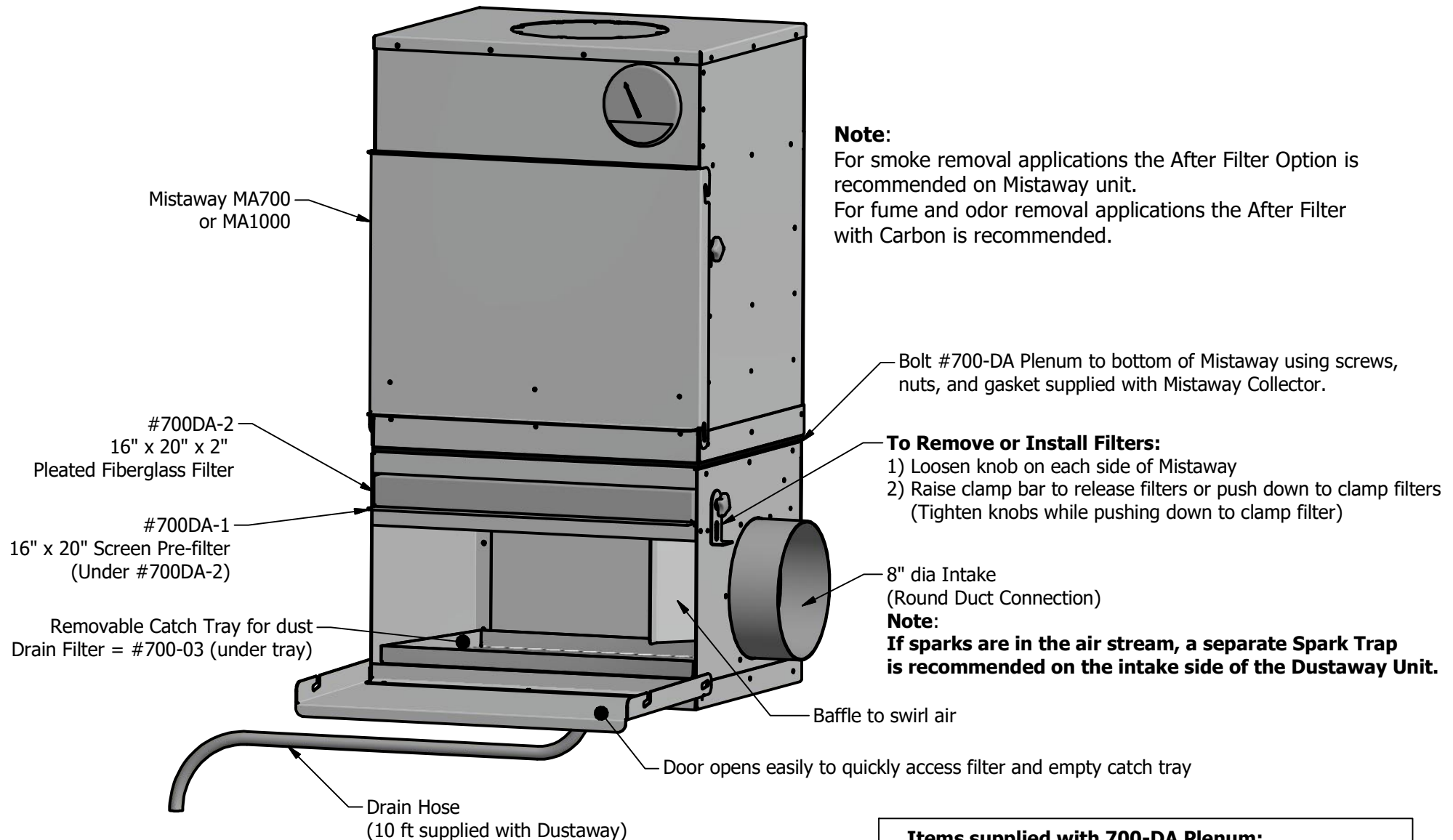


Instructions for Dustaway Inlet Plenum, P/N 700-DA

Dustaway Inlet Plenum for Mistaway MA700 & MA1000. Provides additional filtration for wet grinding and dust collecting applications.



Mistaway Filtration Systems
14 Industrial Park Road
Troy, NY 12180
www.mistawaycollector.com

Items supplied with 700-DA Plenum:

- (1) Dustaway Plenum Assembly
- (1) 16" x 20" Screen Pre-filter (#700DA-1)
- (1) 16" x 20" x 2" Pleated Filter (#700DA-2)
- (1) 16" x 20" x 1" Poly filter for drain (#700-03)
- (1) Catch Tray
- (1) 1/2" ID x 10ft Drain Hose
- (1) Hose barb for drain hose connection