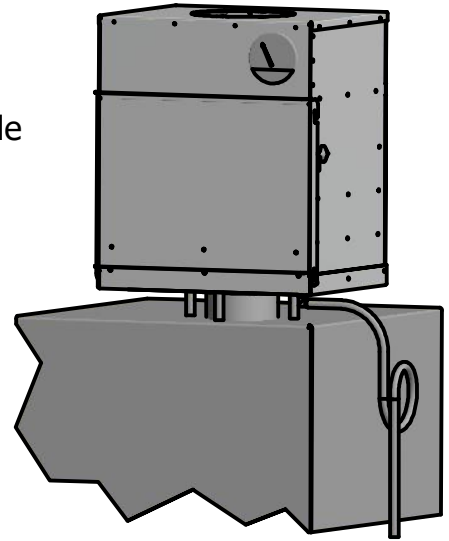
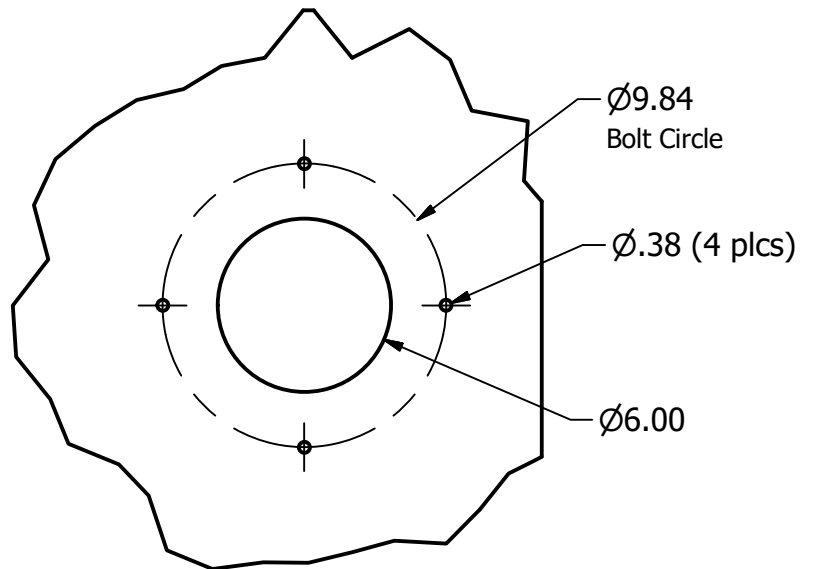
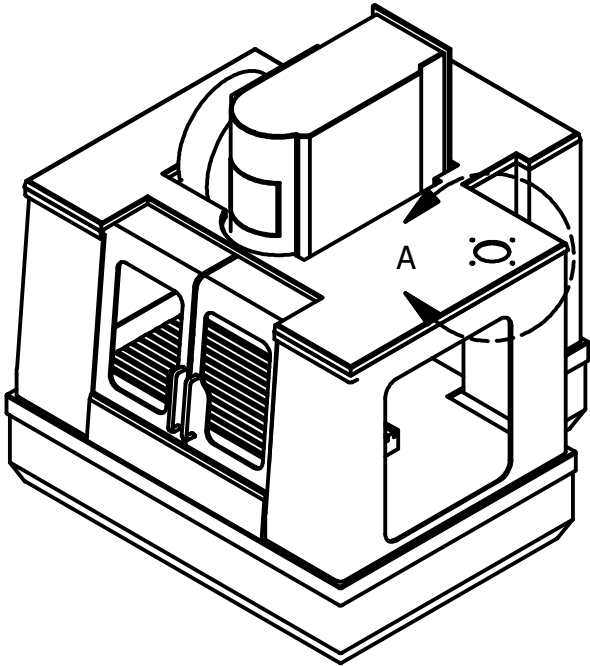


# #700-6MP INSTRUCTIONS

6" Mounting Plate for 6" dia enclosure cutout hole  
For Mistaway MA700 & MA1000  
(Compatible with Haas 6" cutout)



Machine Tool  
Enclosure Cutout



DETAIL A

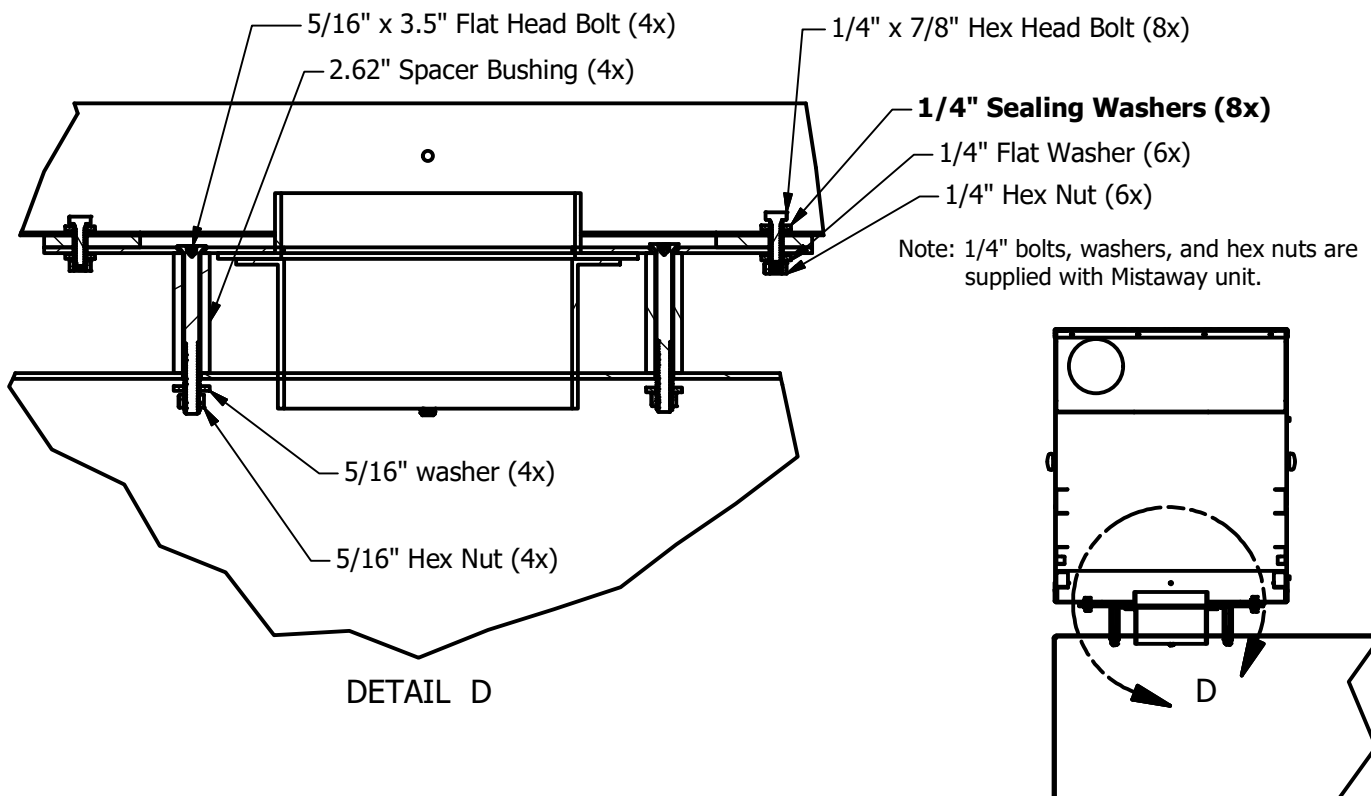
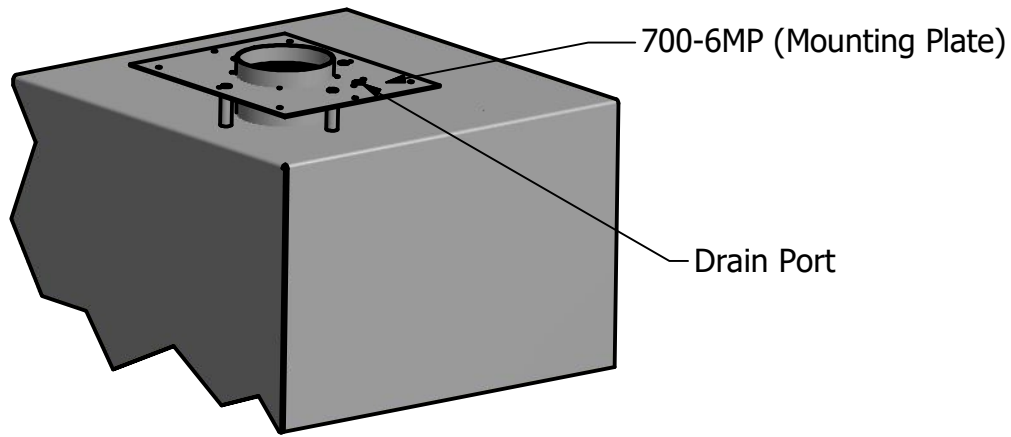
## STEP 1

Use existing cutout (if same as above drawing)  
or make new cutout and hole pattern in machine enclosure per drawing.

## STEP 2

On Haas machines with 6.5" cutout, install supplied edge seal around ID of cutout.  
Trim length of seal to fit hole. This seal is not needed for 6" cutout.

Mistaway Filtration Systems  
14 Industrial Park Rd.  
Troy, NY 12180  
[www.mistawaycollector.com](http://www.mistawaycollector.com)  
Phone: 518-273-7389



### STEP 3

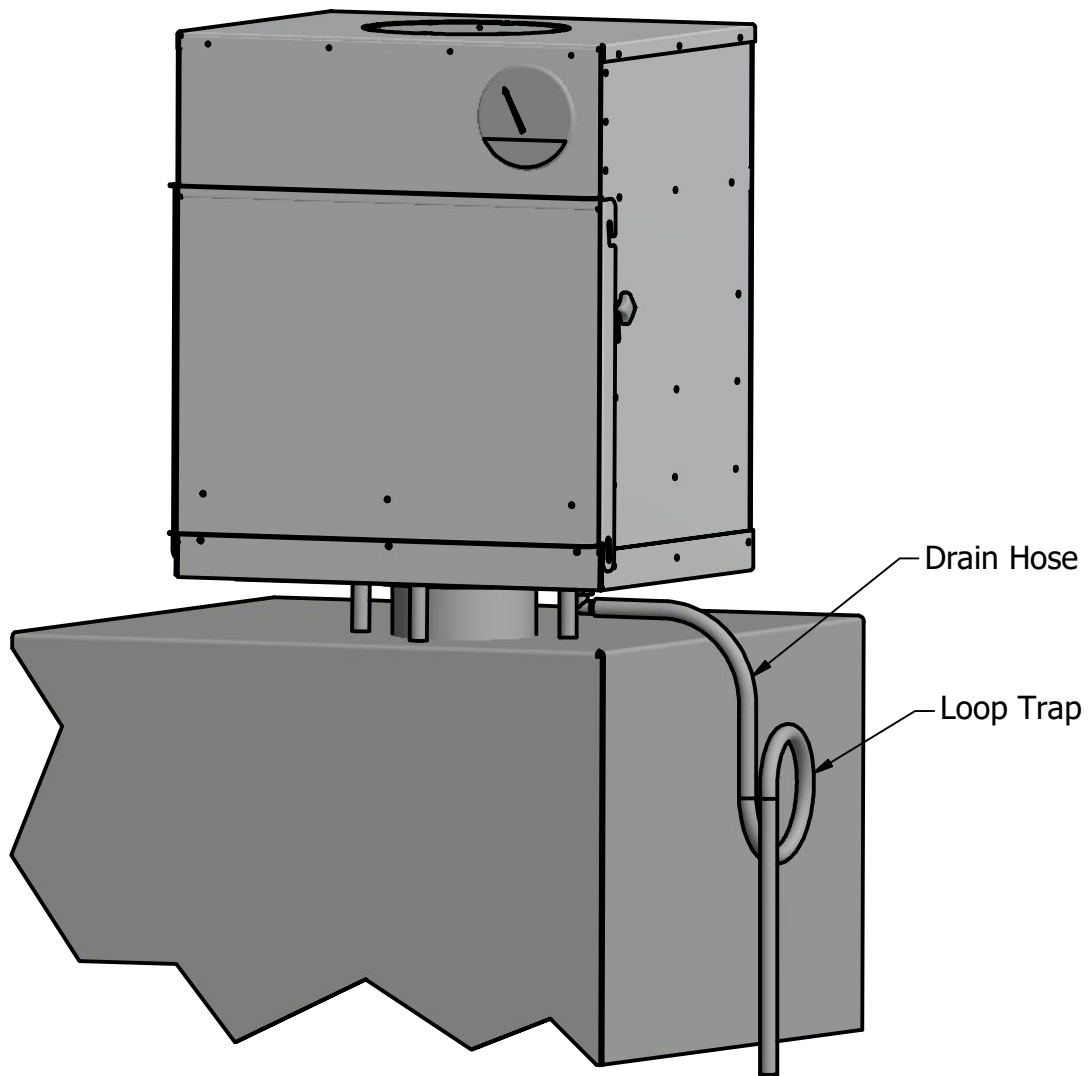
Install 700-6MP mounting plate using (4) spacer bushings, (4) 5/16" bolts, washers and nuts. Note position of drain port and install mounting plate accordingly.

### STEP 4

Place gasket provided with Mistaway unit on mounting plate.  
 Note: If desired gasket sealant could be applied to gasket.  
 Trim OD of gasket to match OD of mounting plate.

### STEP 5

Remove filters from Mistaway unit and place Mistaway on mounting plate.  
 Bolt Mistaway to mounting plate with fasteners provided with Mistaway unit.  
 Note: Use supplied sealing washers under heads of (8) 1/4" mounting bolts.  
 Install filters back into Mistaway unit.



### STEP 6

Install drain fitting on mounting plate and run drain hose from drain fitting to coolant sump or inside of machine enclosure.

Note: Make loop trap as shown.  
Coolant will flow through this hose back to machine.

#### **700-6MP Kit includes:**

- (1) 700-6 Mounting Plate Assy
- (4) 2.62" spacer bushings
- (8) 1/4" sealing washers
- (4) 5/16" x 3.5" flat head bolts
- (4) 5/16" nuts
- (4) 5/16" washers
- (1) 1/2" NPT drain fitting (90 deg)
- (1) 1/2" ID x 5/8" OD x 10ft drain hose
- (1) Edge seal x 2ft long