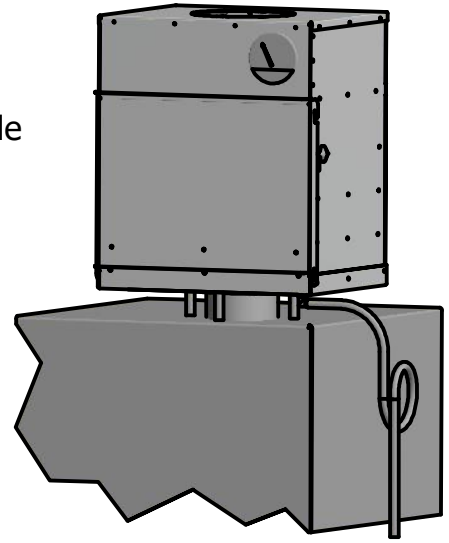
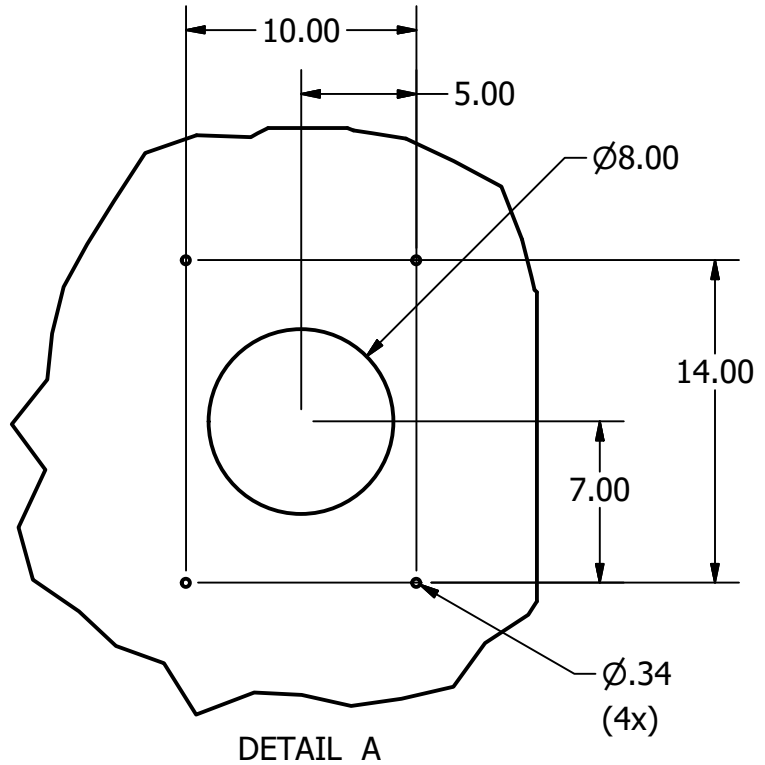
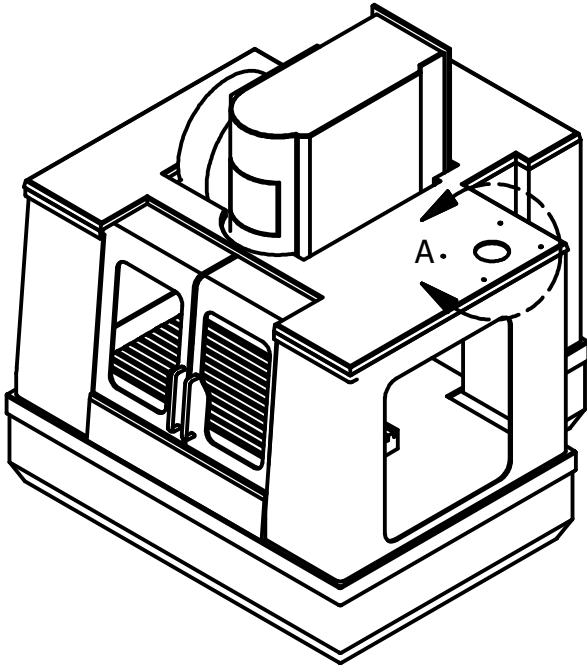


# #1200-8MP INSTRUCTIONS

8" Mounting Plate for 8" dia enclosure cutout hole  
For Mistaway MA1200



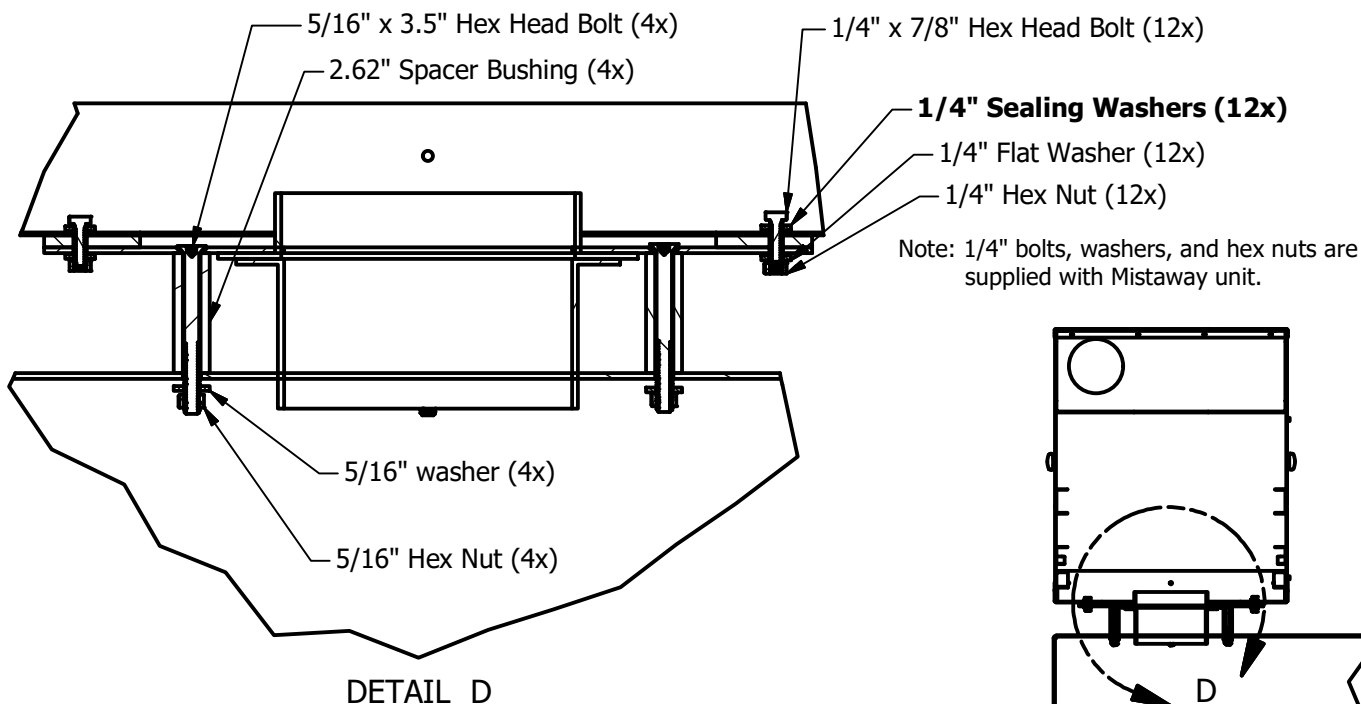
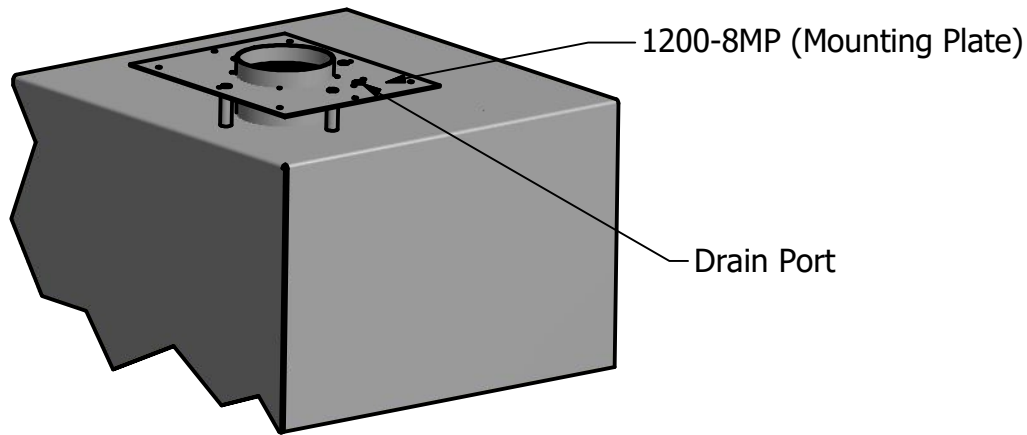
Machine Tool  
Enclosure Cutout



## STEP 1

Use existing cutout (if same as above drawing)  
or make new cutout and hole pattern in machine enclosure per drawing.

Mistaway Filtration Systems  
14 Industrial Park Rd.  
Troy, NY 12180  
[www.mistawaycollector.com](http://www.mistawaycollector.com)  
Phone: 518-273-7389



## STEP 2

Install 1200-8MP mounting plate using (4) spacer bushings, (4) 5/16" bolts, washers and nuts. Note position of drain port and install mounting plate accordingly.

## STEP 3

Place gasket provided with Mistaway unit on mounting plate.

Note: If desired gasket sealant could be applied to gasket.

Trim OD of gasket to match OD of mounting plate.

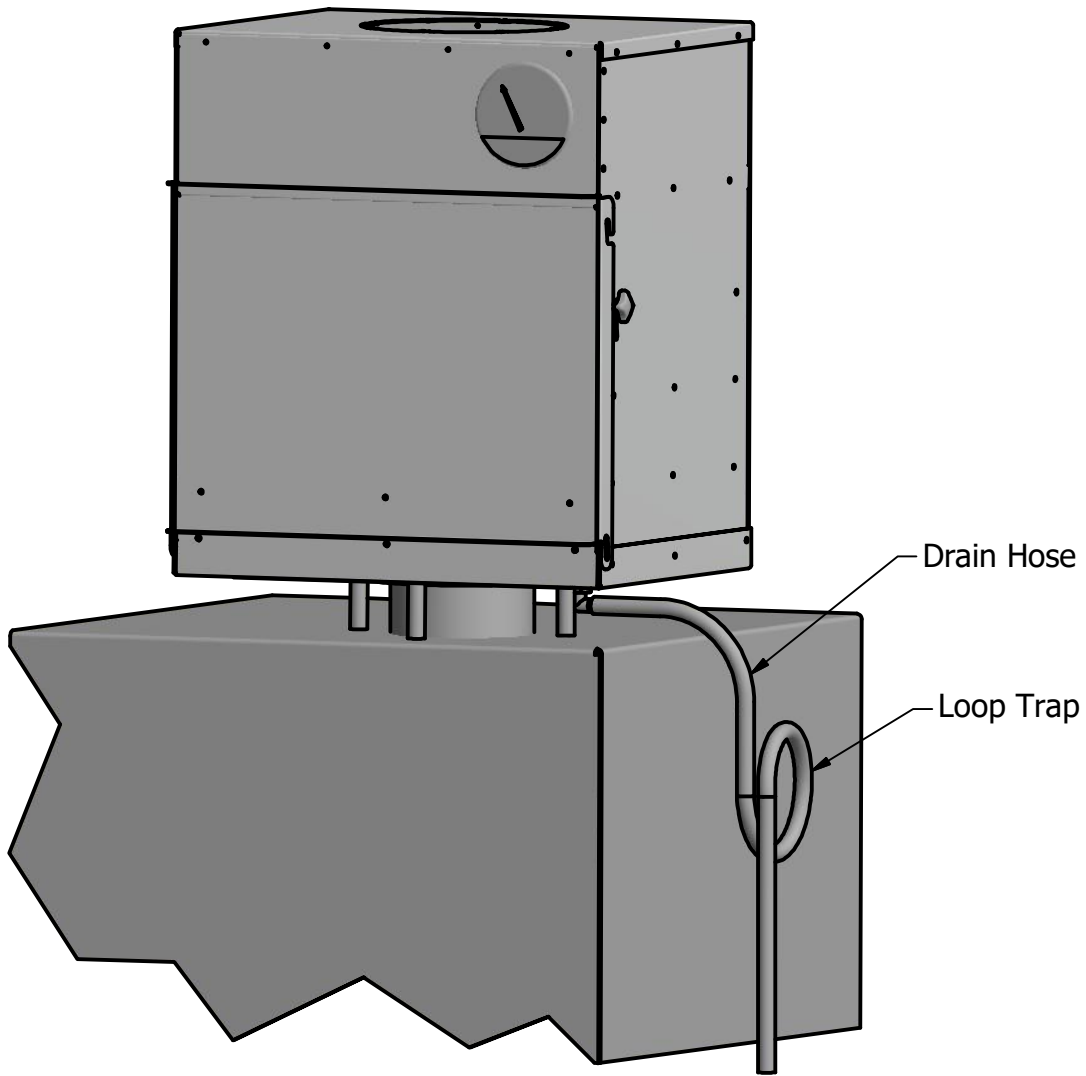
## STEP 4

Remove filters from Mistaway unit and place Mistaway on mounting plate.

Bolt Mistaway to mounting plate with fasteners provided with Mistaway unit.

Note: Use supplied sealing washers under heads of (12) 1/4" mounting bolts.

Install filters back into Mistaway unit.



## STEP 5

Install drain fitting on mounting plate and run drain hose from drain fitting to coolant sump or inside of machine enclosure.

Note: Make loop trap as shown.  
Coolant will flow through this hose back to machine.

### **1200-8MP Kit includes:**

- (1) 1200-8 Mounting Plate Assy
- (4) 2.62" long spacer bushings
- (4) 5/16" x 3.5" Hex Head bolts
- (4) 5/16" nuts
- (8) 5/16" washers
- (1) 1/2" NPT drain fitting (90 deg)
- (1) 1/2" ID x 5/8" OD x 10ft drain hose
- (12) 1/4" sealing washers